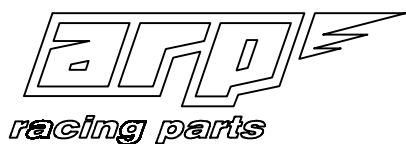
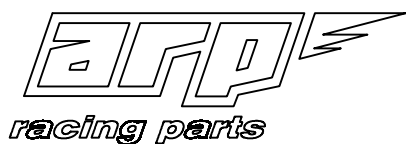
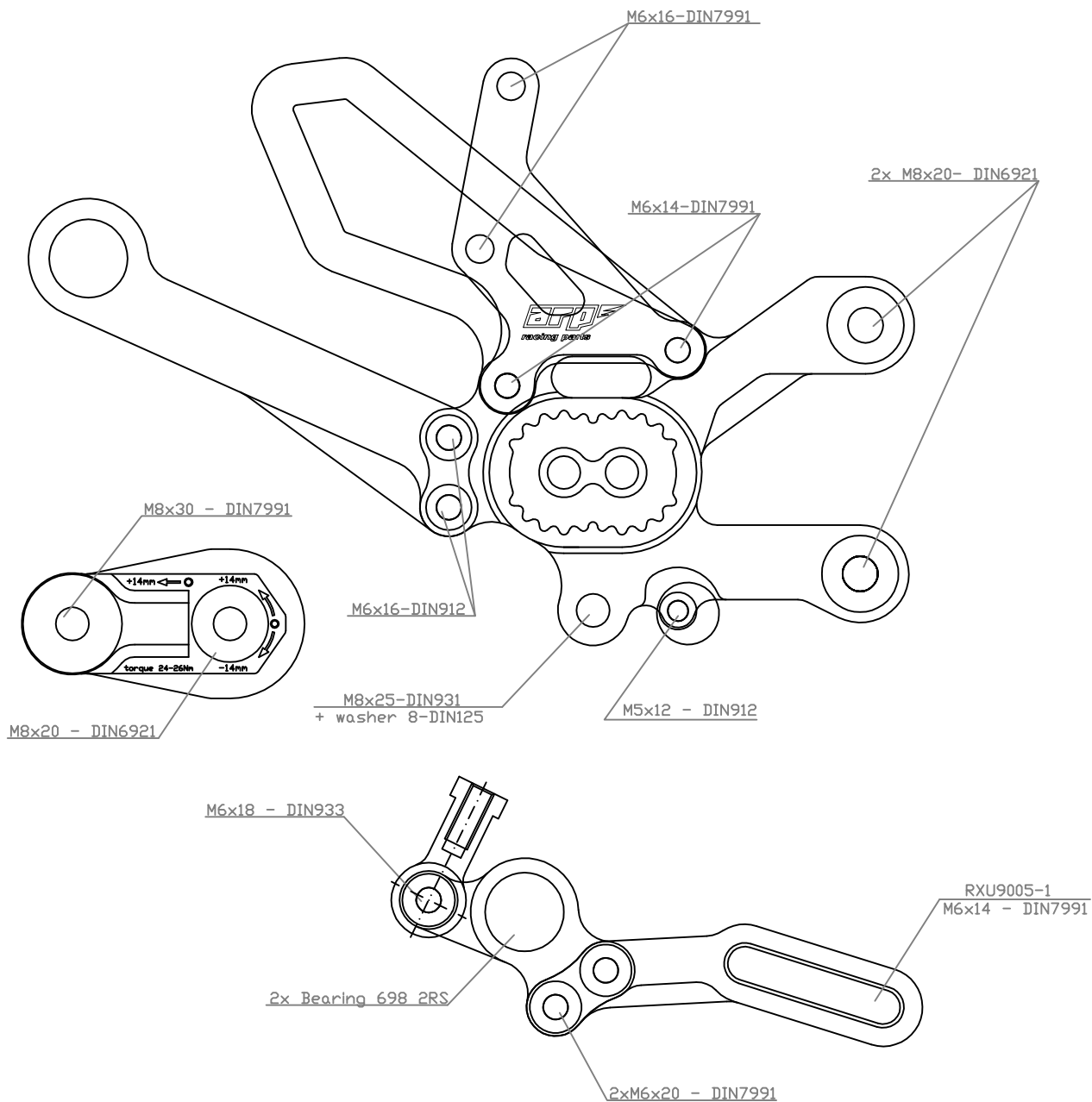


Notice: pushing pin is used from original set



SKU of set: **RXA040S/RS - R1**

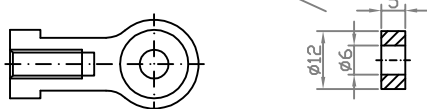
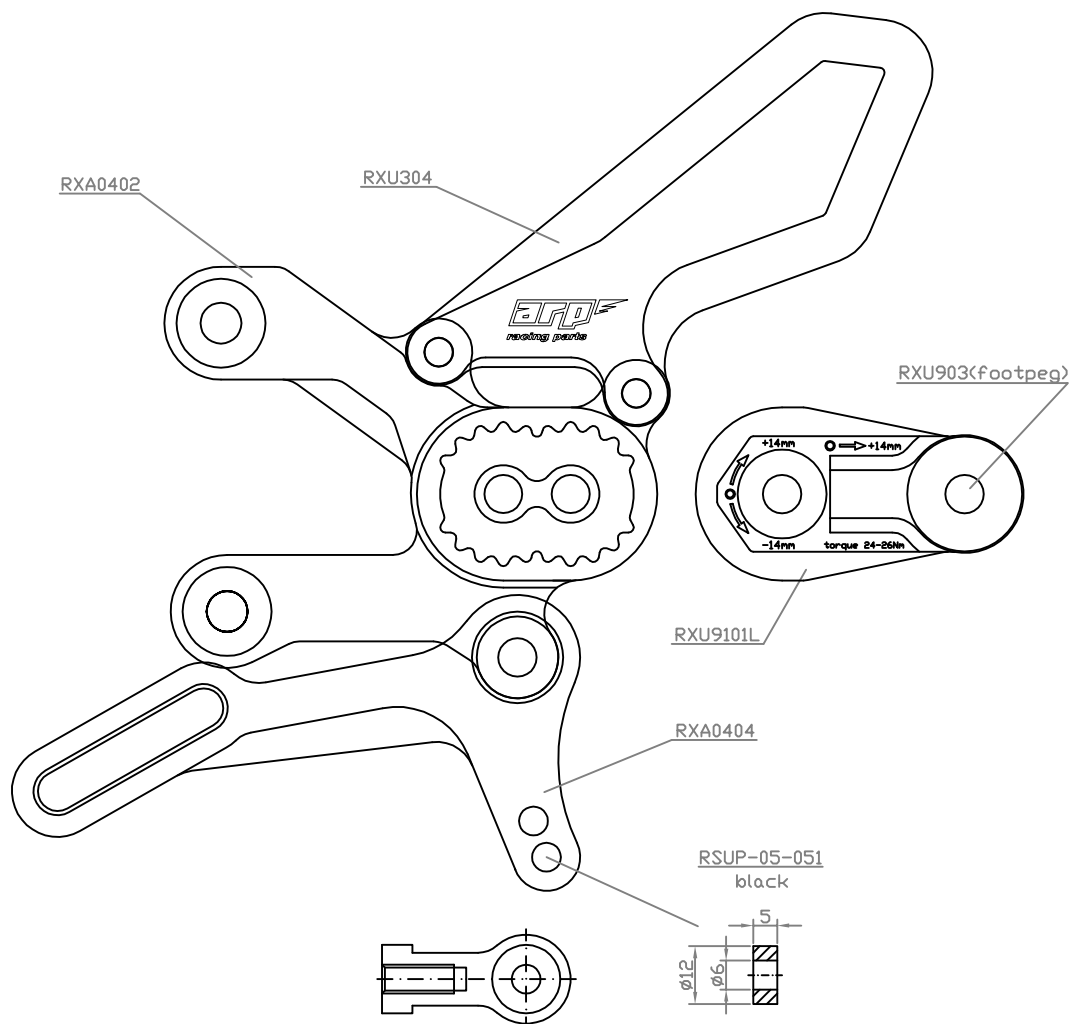
APRILIA RSV4 RR/RF/FACTORY 1100(18+)  
 Motorcycle: APRILIA TUONO V4 1100RR/FACTORY(18+)



SKU of set: **RXA040S/RS - R2**

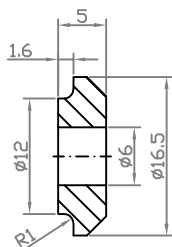
APRILIA RSV4 RR/RF/FACTORY 1100(18+)  
 Motorcycle: APRILIA TUONO V4 1100RR/FACTORY(18+)

# SET INCLUDING CONNECTOR FOR CHANGING THE DIRECTION OF QUICKSHIFTER - RXA0407

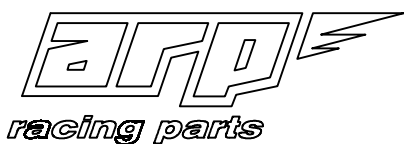
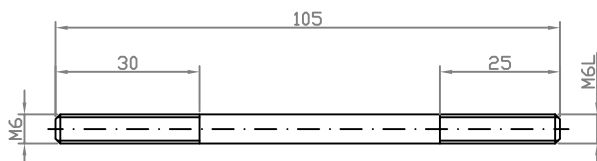


JAFI 6

**RXA0406**  
without anodized

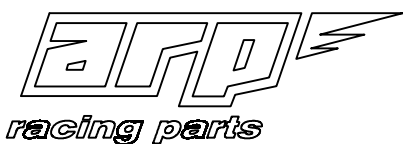
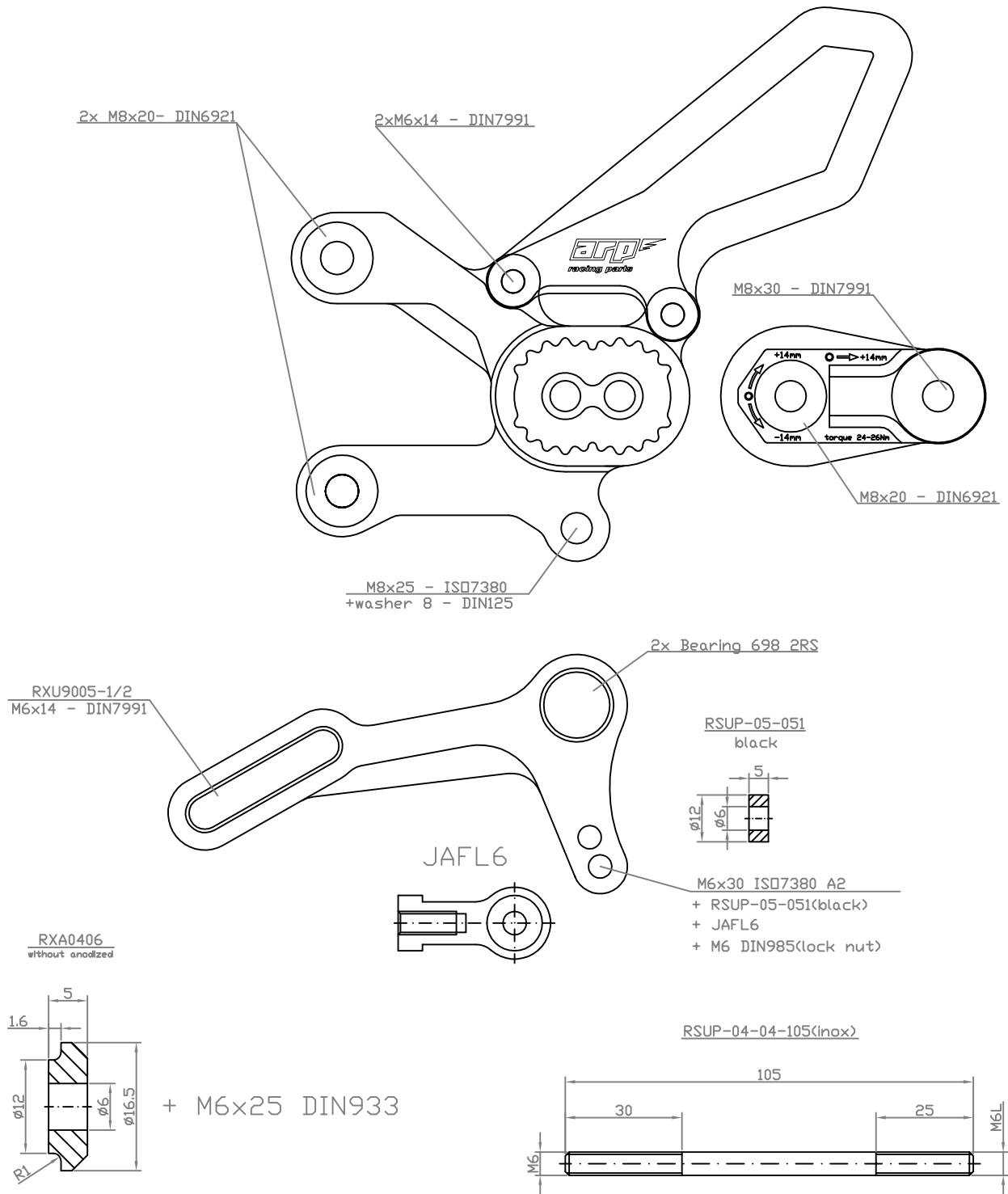


**RSUP-04-04-105(inox)**



SKU of set: **RXA04RS - L1**

Motorcycle: APRILIA RSV4 RR/RF/FACTORY 1100(18+)  
APRILIA TUONO V4 1100RR/FACTORY(18+)



SKU of set: **RXA04RS - L1**

Motorcycle: APRILIA RSV4 RR/RF/FACTORY 1100(18+)  
APRILIA TUONO V4 1100RR/FACTORY(18+)